

Membrane Air Dryer

25A-IDG Series

Single Unit/Standard Dew Point -40°C/-60°C Specifications

RoHS



How to Order

25A - IDG 50 L A - 03 - P

Series compatible with secondary batteries

Size

| |
|-----|
| 30 |
| 50 |
| 60 |
| 75 |
| 100 |

Standard dew point temperature

| Symbol | Standard dew point [°C] |
|--------|-------------------------|
| L | -40 |
| S | -60 |

| Symbol | 30 | 50 | 60 | 75 | 100 |
|--------|----|----|----|----|-----|
| L | ● | ● | ● | ● | ● |
| S | — | — | ● | ● | ● |

Semi-standard

| Symbol | Contents |
|--------|-------------------------------|
| Nil | None |
| R | Flow direction (Right → Left) |

Fitting for purge air discharge

| Symbol | Contents |
|--------|--------------------------------------|
| P | With fitting for purge air discharge |

Accessory

| Symbol | Description |
|--------|--------------|
| Nil | None |
| B | With bracket |

* When symbol B is indicated, a bracket assembly with a part number shown in the table left below is shipped together as an accessory but does not come assembled.

Port size

| Symbol | Bore | Size | | | | |
|--------|-------|------|----|----|----|-----|
| | | 30 | 50 | 60 | 75 | 100 |
| 02 | Rc1/4 | ● | ● | — | — | — |
| 03 | Rc3/8 | ● | ● | ● | ● | ● |
| 04 | Rc1/2 | — | — | ● | ● | ● |

Piping materials

Piping to the outlet side with piping made of water-absorbent or hydrophilic material (nylon, etc.) may result in a rising dew point on the outlet side. Therefore, be sure to use either stainless steel or fluoropolymer piping and fittings.

Bracket Assembly (Accessory) Part Nos.

| Part no. | Applicable model |
|----------|--------------------------|
| 25A-BM64 | 25A-IDG30LA, 50LA |
| 25A-BM65 | 25A-IDG60LA, 75LA, 100LA |

* The assembly consists of a bracket and 2 mounting screws.

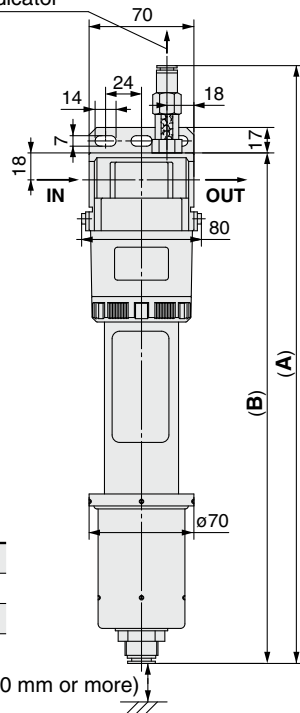
* Some parts have dimensions that are different from those of the standard model. Refer to page 228 for details. Other specifications are the same as those of the standard model.

For details, refer to the [Web Catalog](#).

Dimensions

25A-IDG30LA
25A-IDG50LA

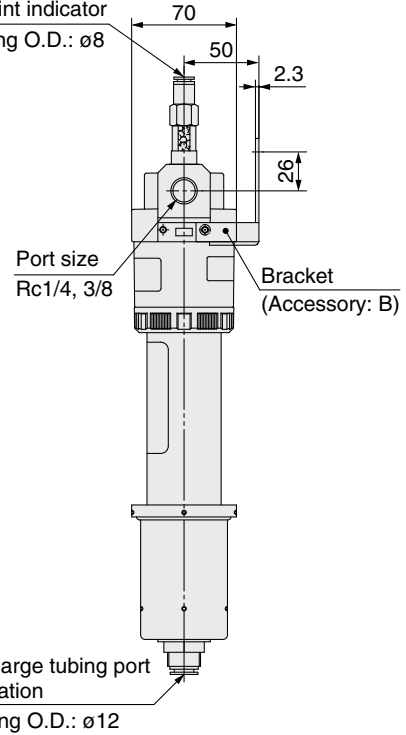
Purge air for dew point indicator



| Model | A | B |
|--------------------|-----|-----|
| 25A-IDG30LA | 361 | 302 |
| 25A-IDG50LA | 400 | 341 |

(Maintenance space 100 mm or more)

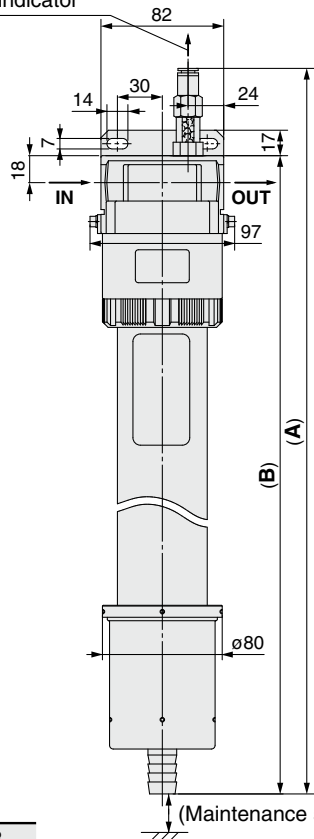
Purge air discharge tubing port for dew point indicator
Applicable tubing O.D.: $\phi 8$



Purge air discharge tubing port for dehumidification
Applicable tubing O.D.: $\phi 12$

25A-IDG60LA
25A-IDG75LA
25A-IDG100LA

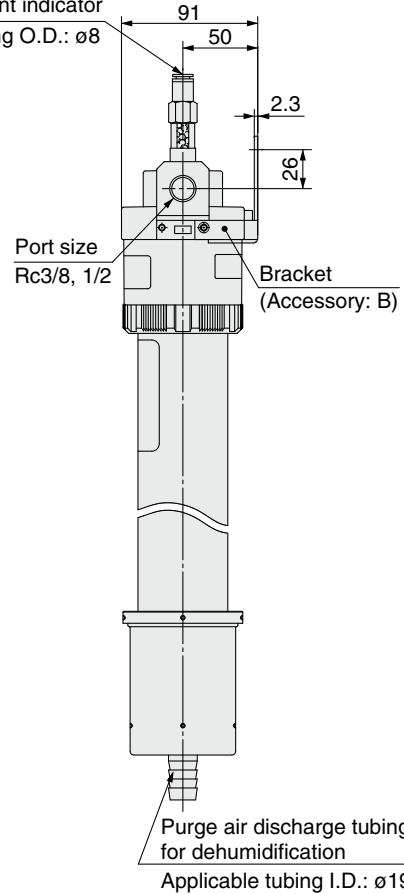
Purge air for dew point indicator



| Model | A | B |
|---------------------|-----|-----|
| 25A-IDG60LA | 426 | 367 |
| 25A-IDG75LA | 495 | 436 |
| 25A-IDG100LA | 560 | 501 |

(Maintenance space 100 mm or more)

Purge air discharge tubing port for dew point indicator
Applicable tubing O.D.: $\phi 8$

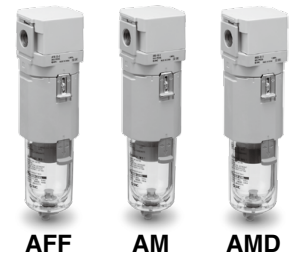


Purge air discharge tubing port for dehumidification
Applicable tubing I.D.: $\phi 19$

Compressed Air Preparation Filter

Line Filter/Mist Separator/Micro Mist Separator

25A-AFF/AM/AMD-D Series



How to Order

25A - **AFF** **30** - **03** **B** - **03** - **D**

① ② ③ ④ ⑤ ⑥

• Series compatible with secondary batteries

• Option/Semi-standard: Select one each for a to c.
 • Option/Semi-standard symbol: When more than one specification is required, indicate in alphanumeric order.
 Example) 25A-AM30-N03B-RZ-D

| | Symbol | Description | ② Body size | | | | | |
|-------------------|----------------|--|--|--|-----|-----|-----|-----|
| | | | 20 | 30 | 40 | 50 | 60 | |
| ① Filter type | AFF | Nominal filtration rating: 1 μm | ● | ● | ● | ● | ● | |
| | | Water droplet removal ratio: 99% | ● | ● | ● | ● | ● | |
| | AM | Nominal filtration rating: 0.1 μm | ● | ● | ● | ● | ● | |
| | | Oil mist concentration on the outlet side: 1 mg/m ³ | ● | ● | ● | ● | ● | |
| | AMD | Nominal filtration rating: 0.01 μm | ● | ● | ● | ● | ● | |
| | | Oil mist concentration on the outlet side: 0.1 mg/m ³ | ● | ● | ● | ● | ● | |
| ③ Thread type | Nil | Rc | ● | ● | ● | ● | ● | |
| | N | NPT | ● | ● | ● | ● | ● | |
| | F | G | ● | ● | ● | ● | ● | |
| ④ Port size | 01 | 1/8 | ● | — | — | — | — | |
| | 02 | 1/4 | ● | ● | ● | — | — | |
| | 03 | 3/8 | — | ● | ● | — | — | |
| | 04 | 1/2 | — | — | ● | — | — | |
| | 06 | 3/4 | — | — | — | ● | — | |
| | 10 | 1 | — | — | — | ● | ● | |
| ⑤ Option a | Mounting | Nil | Without mounting option | ● | ● | ● | ● | ● |
| | B*1 | With bracket | ● | ● | ● | ● | ● | |
| ⑥ Semi-standard b | Flow direction | Nil | Flow direction: Left to right | ● | ● | ● | ● | ● |
| | | R | Flow direction: Right to left | ● | ● | ● | ● | ● |
| | c | Unit | Nil | Name plate and caution plate for bowl in SI units: MPa, °C | ● | ● | ● | ● |
| Z*2 | | | Name plate and caution plate for bowl in imperial units: psi, °F | ○*3 | ○*3 | ○*3 | ○*3 | ○*3 |

*1 Option B is included in the package with the product but does not come assembled. The assembly consists of 2 types of the bracket and 2 mounting screws.

*2 For pipe thread type: NPT

This product is for overseas use only according to the new Measurement Act. (The SI unit type is provided for use in Japan.)

*3 ○: For pipe thread type: NPT only

25A-Bracket, Bowl Assembly/Part Nos.

| Description | Size 20 | Size 30 | Size 40 | Size 50 | Size 60 |
|--------------------|-----------------|-----------------|-----------------|-----------------|-----------------|
| Bracket assembly*1 | 25A-AF24P-070AS | 25A-AF34P-070AS | 25A-AF44P-070AS | 25A-AF54P-070AS | |
| Bowl assembly | 25A-C2SF-D | 25A-C3SF-D | 25A-C4SF-D | 25A-AM54P-120AS | 25A-AM64P-120AS |

*1 The assembly consists of a bracket A/B and 2 mounting screws.

* The 25A- series specifications and dimensions are the same as those of the standard model.

Compressed Air Preparation Filter

Activated Carbon Filter

25A-AMK-D Series



How to Order

25A-AMK **30** - **F** **03** **B** - - **D**

① ② ③ ④ ⑤ ⑥

• Series compatible with secondary batteries

• Option/Semi-standard: Select one each for a to c.
 • Option/Semi-standard symbol: When more than one specification is required, indicate in alphanumeric order.
 Example) 25A-AMK30-N03B-RZ-D

| | Symbol | Description | ② Body size | | | | | | | |
|------------|--------------------|----------------|--|--|-----|-----|-----|-----|-----|---|
| | | | 20 | 30 | 40 | 50 | 60 | | | |
| ① | Filter type | AMK | Activated carbon filter | | ● | ● | ● | ● | ● | |
| | | + | | | | | | | | |
| ③ | Thread type | Nil | Rc | | ● | ● | ● | ● | ● | |
| | | N | NPT | | ● | ● | ● | ● | ● | |
| | | F | G | | ● | ● | ● | ● | ● | |
| | | + | | | | | | | | |
| ④ | Port size | 01 | 1/8 | | ● | — | — | — | — | |
| | | 02 | 1/4 | | ● | ● | ● | — | — | |
| | | 03 | 3/8 | | — | ● | ● | — | — | |
| | | 04 | 1/2 | | — | — | ● | — | — | |
| | | 06 | 3/4 | | — | — | — | ● | — | |
| | | + | | | | | | | | |
| ⑤ | Option a | Mounting | Nil | Without mounting option | | ● | ● | ● | ● | ● |
| | | | B*1 | With bracket | | ● | ● | ● | ● | ● |
| | | + | | | | | | | | |
| ⑥ | Semi-standard b | Flow direction | Nil | Flow direction: Left to right | | ● | ● | ● | ● | ● |
| | | | R | Flow direction: Right to left | | ● | ● | ● | ● | ● |
| | | | + | | | | | | | |
| | Semi-standard c | Pressure unit | Nil | Name plate and caution plate in SI units: MPa/°C | | ● | ● | ● | ● | ● |
| Z*2 | | | Name plate and caution plate in imperial units: psi/°F | | ○*3 | ○*3 | ○*3 | ○*3 | ○*3 | |

*1 Option B is included in the package with the product but does not come assembled. The assembly consists of 2 types of the bracket and 2 mounting screws.

*2 For pipe thread type: NPT

This product is for overseas use only according to the new Measurement Act. (The SI unit type is provided for use in Japan.)

*3 ○: For pipe thread type: NPT only

25A-Bracket, Bowl Assembly/Part Nos.

| Description | Size 20 | Size 30 | Size 40 | Size 50 | Size 60 |
|---------------------------|-----------------|-----------------|-----------------|------------------------------------|------------------------------------|
| Bracket assembly*1 | 25A-AF24P-070AS | 25A-AF34P-070AS | 25A-AF44P-070AS | 25A-AF54P-070AS | |
| Bowl assembly | 25A-C2SF-D-X401 | 25A-C3SK-D | 25A-C4SK-D | Equivalent to the standard product | Equivalent to the standard product |

*1 The assembly consists of a bracket A/B and 2 mounting screws.

* The 25A- series specifications and dimensions are the same as those of the standard model.

Main Line Filter

25A-AFF Series

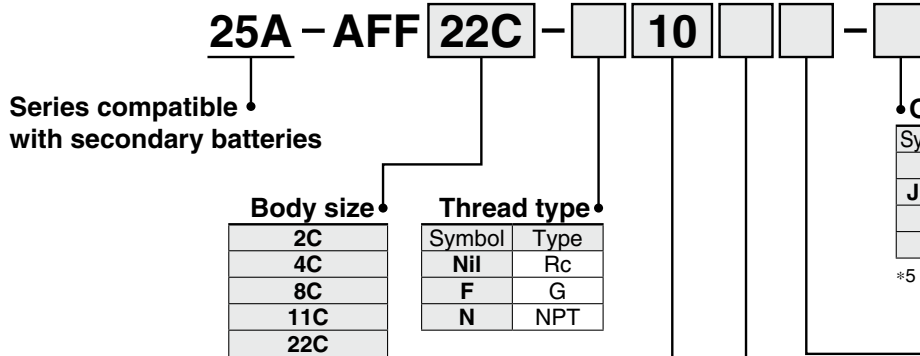


* 25A-AFF75B only



How to Order

25A-AFF2C to 25A-AFF22C



Bracket Assembly Part Nos.*3

| Applicable model | Part no. |
|------------------|--------------|
| 25A-AFF2C | 25A-AM-BM101 |
| 25A-AFF4C | 25A-AM-BM102 |
| 25A-AFF8C | 25A-AM-BM103 |
| 25A-AFF11C | 25A-AM-BM104 |
| 25A-AFF22C | 25A-AM-BM105 |

*3 The assembly consists of a bracket and 2 mounting screws.

Port size

| Symbol | Size | Applicable body size | | | | |
|--------|------|----------------------|----|----|-----|-----|
| | | 2C | 4C | 8C | 11C | 22C |
| 01 | 1/8 | ● | — | — | — | — |
| 02 | 1/4 | ● | ● | — | — | — |
| 03 | 3/8 | — | ● | ● | — | — |
| 04 | 1/2 | — | — | ● | ● | — |
| 06 | 3/4 | — | — | — | ● | ● |
| 10 | 1 | — | — | — | — | ● |

Auto drain*4

| Symbol | Description |
|--------|---------------------------------|
| Nil | Drain cock (Without auto drain) |
| C | N.C. auto drain |
| D | N.O. auto drain |

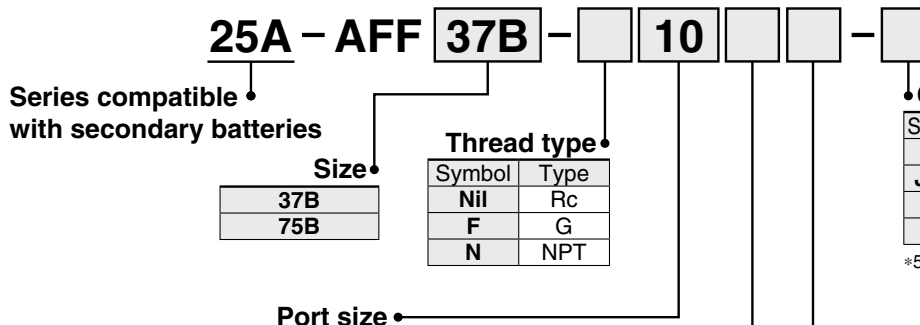
*4 Only one drain exhaust method can be selected. The drain cock, N.C. auto drain, N.O. auto drain and drain guide cannot be selected together.

Accessory

| Symbol | Description |
|--------|-------------|
| Nil | — |
| B | Bracket *2 |

*2 When symbol "B" is indicated, a bracket assembly with a part number shown in the left table is shipped together as an accessory but does not come assembled.

25A-AFF37B/75B



| Symbol | Size | Applicable body size | |
|--------|-------|----------------------|-----|
| | | 37B | 75B |
| 10 | 1 | ● | — |
| 14 | 1 1/2 | ● | ● |
| 20 | 2 | — | ● |

Bracket Assembly Part Nos.*3

| Applicable model | Part no. |
|------------------|----------|
| 25A-AFF37B | 25A-BM56 |
| 25A-AFF75B | 25A-BM57 |

*3 The assembly consists of a bracket and 2 mounting screws.

Accessory

| Symbol | Description |
|--------|-------------|
| Nil | — |
| B | Bracket *1 |

*1 When symbol "B" is indicated, a bracket assembly with a part number shown in the left table is shipped together as an accessory but does not come assembled.

Auto drain*4

| Symbol | Description |
|--------|------------------------------------|
| Nil | Drain cock (Without auto drain) *2 |
| D | N.O. auto drain (37B only) |

*2 Body size 75B is equipped with a ball valve (Rc 3/8 female threaded).

*4 Body size 37B: Only one drain exhaust method can be selected. The drain cock, N.O. auto drain and drain guide cannot be selected together.

* The 25A-series specifications and dimensions are the same as those of the standard model.

For details, refer to the [Web Catalog](#).

Mist Separator

25A-AM Series



* 25A-AM850 only



How to Order

25A-AM150C to 25A-AM550C

25A - AM 550C - [] [10] [] [] - []

Series compatible with secondary batteries

Body size

| |
|------|
| 150C |
| 250C |
| 350C |
| 450C |
| 550C |

Thread type

| Symbol | Type |
|--------|------|
| Nil | Rc |
| F | G |
| N | NPT |

Option

| Symbol | Description |
|--------|---------------------------------|
| Nil | — |
| J*4,*5 | Drain guide 1/4 female threaded |
| R | IN-OUT reversal direction |
| T | With element service indicator |

*5 Drain piping and piping for a stop valve such as ball valve are required.

Auto drain*4

| Symbol | Description |
|--------|---------------------------------|
| Nil | Drain cock (Without auto drain) |
| C | N.C. auto drain |
| D | N.O. auto drain |

*4 Only one drain exhaust method can be selected. The drain cock, N.C. auto drain, N.O. auto drain and drain guide cannot be selected together.

Accessory

| Symbol | Description |
|--------|-------------|
| Nil | — |
| B | Bracket *2 |

*2 When symbol "B" is indicated, a bracket assembly with a part number shown in the left table is shipped together as an accessory but does not come assembled.

Port size

| Symbol | Size | Applicable body size | | | | |
|--------|------|----------------------|------|------|------|------|
| | | 150C | 250C | 350C | 450C | 550C |
| 01 | 1/8 | ● | — | — | — | — |
| 02 | 1/4 | ● | — | — | — | — |
| 03 | 3/8 | — | ● | — | — | — |
| 04 | 1/2 | — | — | ● | ● | — |
| 06 | 3/4 | — | — | — | ● | ● |
| 10 | 1 | — | — | — | — | ● |

Bracket Assembly Part Nos.*3

| Applicable model | Part no. |
|------------------|--------------|
| 25A-AM150C | 25A-AM-BM101 |
| 25A-AM250C | 25A-AM-BM102 |
| 25A-AM350C | 25A-AM-BM103 |
| 25A-AM450C | 25A-AM-BM104 |
| 25A-AM550C | 25A-AM-BM105 |

*3 The assembly consists of a bracket and 2 mounting screws.

25A-AM650/850

25A - AM 650 - [] [10] [] [] - []

Series compatible with secondary batteries

Body size

| |
|-----|
| 650 |
| 850 |

Thread type

| Symbol | Type |
|--------|------|
| Nil | Rc |
| F | G |
| N | NPT |

Option

| Symbol | Description |
|--------|--|
| Nil | — |
| J*4,*5 | Drain guide 1/4 female threaded (650 only) |
| R | IN-OUT reversal direction |
| T | With element service indicator |

*5 Drain piping and piping for a stop valve such as ball valve are required.

Auto drain*4

| Symbol | Description |
|--------|------------------------------------|
| Nil | Drain cock (Without auto drain) *2 |
| D | N.O. auto drain (650 only) |

*2 Body size 850 is equipped with a ball valve (Rc 3/8 female threaded).

*4 Body size 650: Only one drain exhaust method can be selected. The drain cock, N.O. auto drain and drain guide cannot be selected together.

Accessory

| Symbol | Description |
|--------|-------------|
| Nil | — |
| B | Bracket *1 |

*1 When symbol "B" is indicated, a bracket assembly with a part number shown in the left table is shipped together as an accessory but does not come assembled.

Port size

| Symbol | Size | Applicable body size | |
|--------|-------|----------------------|-----|
| | | 650 | 850 |
| 10 | 1 | ● | — |
| 14 | 1 1/2 | ● | ● |
| 20 | 2 | — | ● |

Bracket Assembly Part Nos.*3

| Applicable model | Part no. |
|------------------|----------|
| 25A-AM650 | 25A-BM56 |
| 25A-AM850 | 25A-BM57 |

*3 The assembly consists of a bracket and 2 mounting screws.

* The 25A- series specifications and dimensions are the same as those of the standard model.

For details, refer to the [Web Catalog](#).

Micro Mist Separator

25A-AMD Series



* 25A-AMD850 only



How to Order

25A-AMD150C to 25A-AMD550C

25A - AMD 550C - [] - [] - [] - []

Series compatible with secondary batteries

Body size

| |
|------|
| 150C |
| 250C |
| 350C |
| 450C |
| 550C |

Thread type

| Symbol | Type |
|--------|------|
| Nil | Rc |
| F | G |
| N | NPT |

Option

| Symbol | Description |
|--------|---------------------------------|
| Nil | — |
| J*4,*5 | Drain guide 1/4 female threaded |
| R | IN-OUT reversal direction |
| T | With element service indicator |

*5 Drain piping and piping for a stop valve such as ball valve are required.

Auto drain*4

| Symbol | Description |
|--------|---------------------------------|
| Nil | Drain cock (Without auto drain) |
| C | N.C. auto drain |
| D | N.O. auto drain |

*4 Only one drain exhaust method can be selected. The drain cock, N.C. auto drain, N.O. auto drain and drain guide cannot be selected together.

Accessory

| Symbol | Description |
|--------|-------------|
| Nil | — |
| B | Bracket *2 |

*2 When symbol "B" is indicated, a bracket assembly with a part number shown in the left table is shipped together as an accessory but does not come assembled.

Port size

| Symbol | Size | Applicable body size | | | | |
|--------|------|----------------------|------|------|------|------|
| | | 150C | 250C | 350C | 450C | 550C |
| 01 | 1/8 | ● | — | — | — | — |
| 02 | 1/4 | ● | ● | — | — | — |
| 03 | 3/8 | — | ● | ● | — | — |
| 04 | 1/2 | — | — | ● | ● | — |
| 06 | 3/4 | — | — | — | ● | ● |
| 10 | 1 | — | — | — | — | ● |

Bracket Assembly Part Nos.*3

| Applicable model | Part no. |
|------------------|--------------|
| 25A-AMD150C | 25A-AM-BM101 |
| 25A-AMD250C | 25A-AM-BM102 |
| 25A-AMD350C | 25A-AM-BM103 |
| 25A-AMD450C | 25A-AM-BM104 |
| 25A-AMD550C | 25A-AM-BM105 |

*3 The assembly consists of a bracket and 2 mounting screws.

25A-AMD650/850

25A - AMD 650 - [] - [] - [] - []

Series compatible with secondary batteries

Body size

| |
|-----|
| 650 |
| 850 |

Thread type

| Symbol | Type |
|--------|------|
| Nil | Rc |
| F | G |
| N | NPT |

Option

| Symbol | Description |
|--------|--|
| Nil | — |
| J*4,*5 | Drain guide 1/4 female threaded (650 only) |
| R | IN-OUT reversal direction |
| T | With element service indicator |

*5 Drain piping and piping for a stop valve such as ball valve are required.

Auto drain*4

| Symbol | Description |
|--------|------------------------------------|
| Nil | Drain cock (Without auto drain) *2 |
| D | N.O. auto drain (650 only) |

*2 Body size 850 is equipped with a ball valve (Rc 3/8 female threaded).

*4 Body size 650: Only one drain exhaust method can be selected. The drain cock, N.O. auto drain and drain guide cannot be selected together.

Accessory

| Symbol | Description |
|--------|-------------|
| Nil | — |
| B | Bracket *1 |

*1 When symbol "B" is indicated, a bracket assembly with a part number shown in the left table is shipped together as an accessory but does not come assembled.

Port size

| Symbol | Size | Applicable body size | |
|--------|-------|----------------------|-----|
| | | 650 | 850 |
| 10 | 1 | ● | — |
| 14 | 1 1/2 | ● | ● |
| 20 | 2 | — | ● |

Bracket Assembly Part Nos.*3

| Applicable model | Part no. |
|------------------|----------|
| 25A-AMD650 | 25A-BM56 |
| 25A-AMD850 | 25A-BM57 |

*3 The assembly consists of a bracket and 2 mounting screws.

* The 25A-series specifications and dimensions are the same as those of the standard model.

For details, refer to the [Web Catalog](#).

Micro Mist Separator with Pre-filter



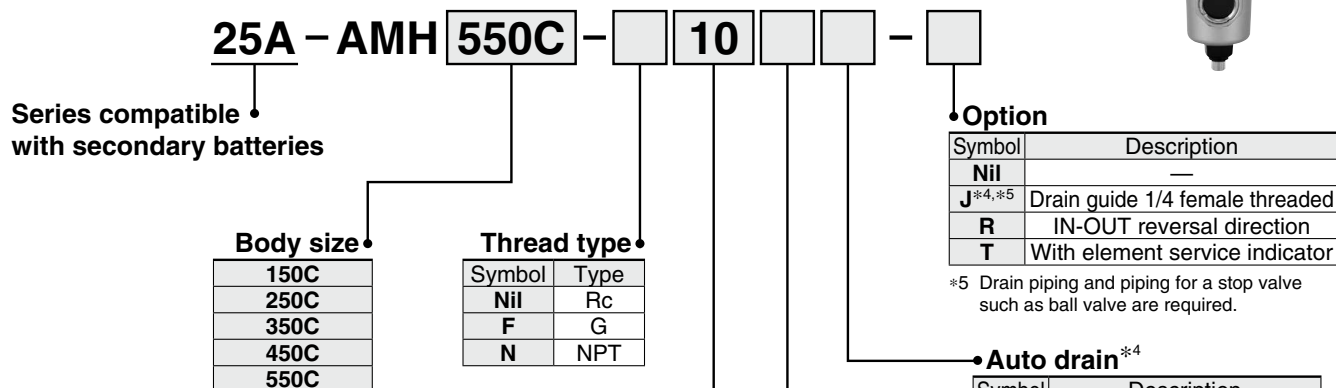
* 25A-AMH850 only

25A-AMH Series



How to Order

25A-AMH150C to 25A-AMH550C

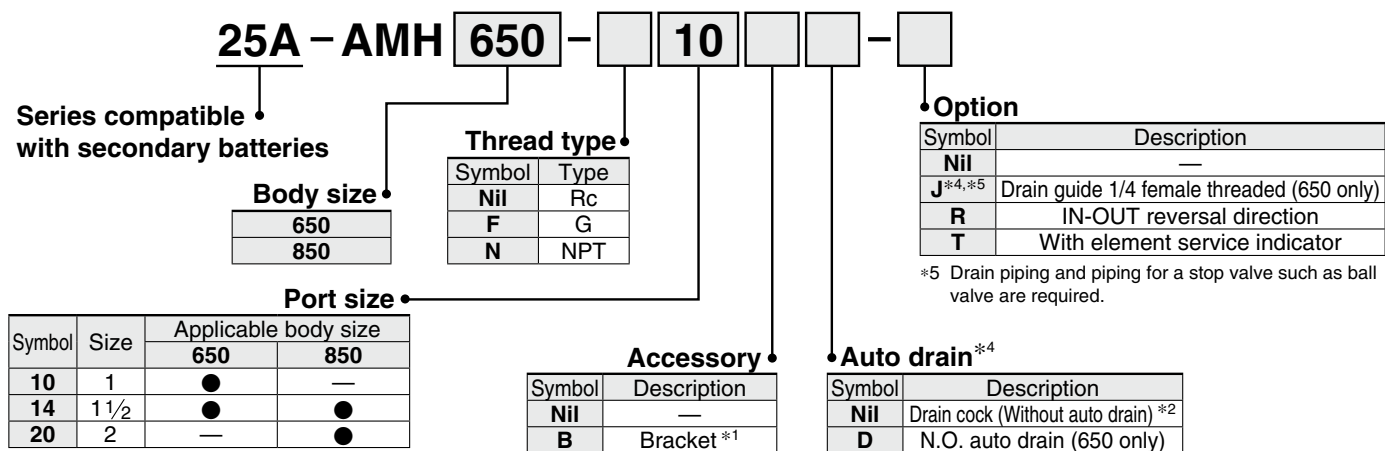


Bracket Assembly Part Nos.*3

| Applicable model | Part no. |
|------------------|-------------|
| 25A-AMH150C | 25A-AMBM101 |
| 25A-AMH250C | 25A-AMBM102 |
| 25A-AMH350C | 25A-AMBM103 |
| 25A-AMH450C | 25A-AMBM104 |
| 25A-AMH550C | 25A-AMBM105 |

*3 The assembly consists of a bracket and 2 mounting screws.

25A-AMH650/850



Bracket Assembly Part Nos.*3

| Applicable model | Part no. |
|------------------|----------|
| 25A-AMH650 | 25A-BM56 |
| 25A-AMH850 | 25A-BM57 |

*3 The assembly consists of a bracket and 2 mounting screws.

* The 25A- series specifications and dimensions are the same as those of the standard model. For details, refer to the [Web Catalog](#).