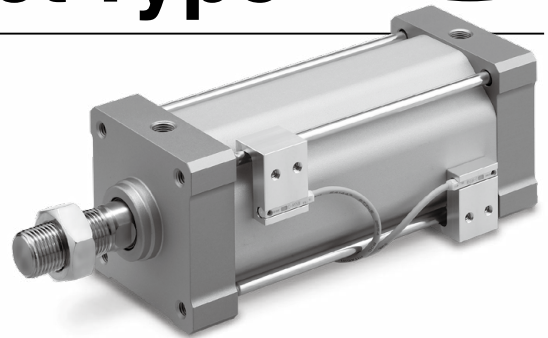


# Air Cylinder/Compact Type

RoHS

Size: 40, 63

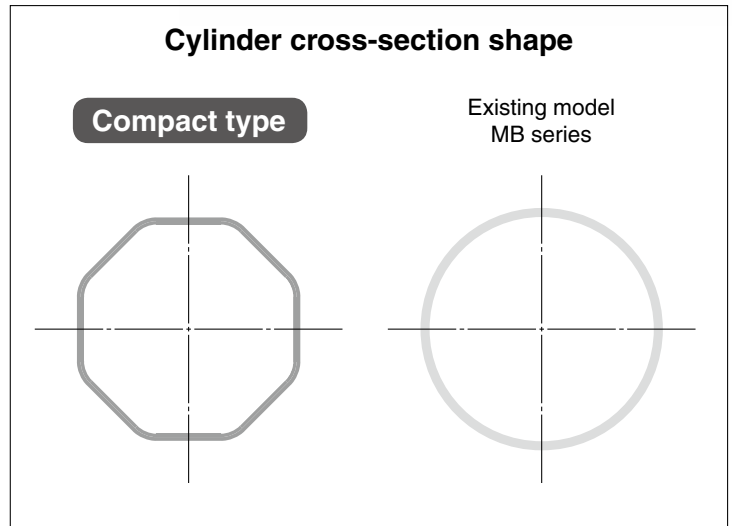
Now, more compact and lightweight due to the adoption of a octagonal piston!



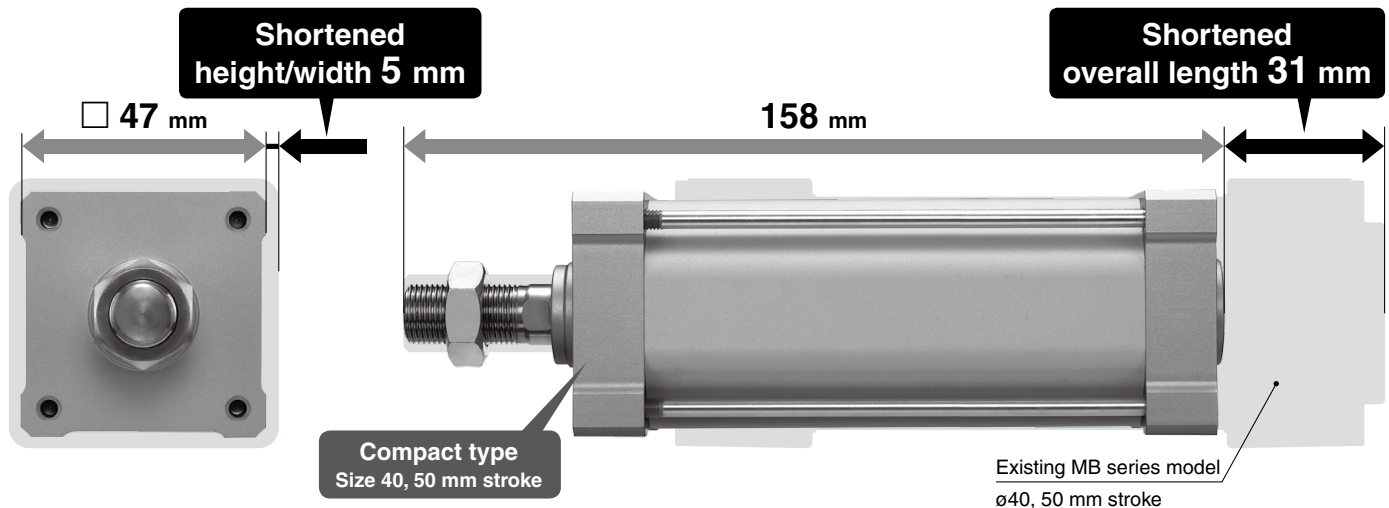
**Weight** **35% reduction**  
750 g → 487 g

**Overall length** **16% reduction**  
189 mm → 158 mm

**Height Width** **10% reduction**  
52 mm → 47 mm

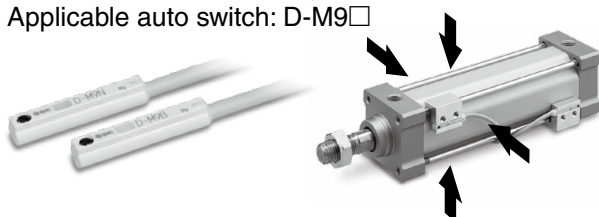


\* Compared with the MB series, ø40, 50 mm stroke



■ Small auto switches can be mounted on 4 surfaces. (Tie-rod mounting)

Applicable auto switch: D-M9□



■ Air cushion adjustment is not required due to the non-adjustable air cushion.

The built-in rubber bumper reduces the metal noise that occurs when the piston stops.

■ Cover shape that prevents foreign matter accumulation

**MB-X3155**



# MB-X3155

## Specifications

Size	40 (Equiv. ø40 piston area)	63 (Equiv. ø63 piston area)
<b>Action</b>	Double acting, Single rod	
<b>Proof pressure</b>	1.0 MPa	
<b>Max. operating pressure</b>	0.7 MPa*1	
<b>Min. operating pressure</b>	0.05 MPa	
<b>Ambient and fluid temperatures</b>	5 to 60°C	
<b>Lubrication</b>	Not required (Non-lube)	
<b>Piston speed</b>	50 to 500 mm/s*1	
<b>Stroke length tolerance</b>	+2.0 mm	
<b>Cushion</b>	Non-adjustable air cushion + rubber bumper	
<b>Port size</b>	Rc1/8	
<b>Stroke</b>	50 to 250 mm (25 mm increments)	
<b>Mounting</b>	None (Basic type only)	
<b>Allowable kinetic energy</b>	1.2 J	3.4 J

Depending on the system configuration selected, the specified speed may not be satisfied.

\*1 Maximum operating pressure and piston speed are different from the existing product (MB series).

## Standard Strokes

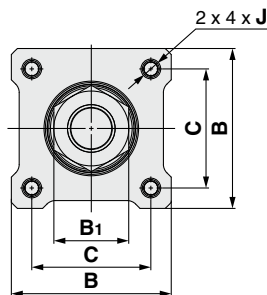
Size	Standard stroke [mm]
<b>40</b>	50, 75, 100, 125, 150,
<b>63</b>	175, 200, 225, 250

## Theoretical Output

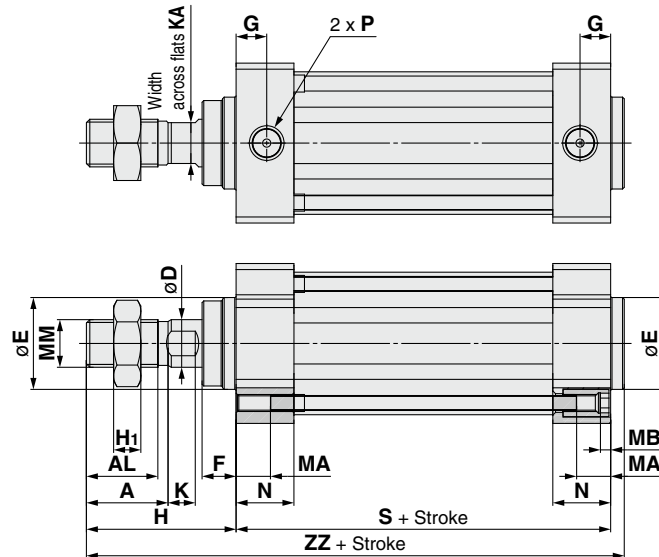
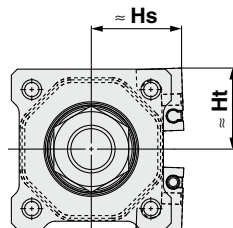
Size	Rod operating direction	Piston area [mm <sup>2</sup> ]	Operating pressure [MPa]						
			0.2	0.3	0.4	0.5	0.6	0.7	
<b>40</b>	IN	1108	222	332	443	554	665	776	
	OUT	1262	252	379	505	631	757	884	
<b>63</b>	IN	2858	572	857	1143	1429	1715	2000	
	OUT	3112	622	934	1245	1556	1867	2178	

\* Theoretical output [N] = Pressure [MPa] x Piston area [mm<sup>2</sup>]

## Dimensions



### Auto switch bracket dimensions



Size	A	AL	B	B1	C	D	E	F	G	H	H1	J	K	KA	MA	MB	MM	N	P	S	ZZ	Hs	Ht
<b>40</b>	24	21	47	22	35	14	27	10	9	44	8	M5 x 0.8	8	12	9	3	M14 x 1.5	17	Rc1/8	60	108	26.5	23.8
<b>63</b>	35	32	69	27	53	18	31	8	11	51	11	M6 x 1.0	7	16	10	3.5	M18 x 1.5	20	Rc1/8	67	122	40.4	32.5

**⚠ Safety Instructions** Be sure to read the "Handling Precautions for SMC Products" (M-E03-3) and the "MB Series Specific Product Precautions" before use.

## SMC Corporation

Akihabara UDX 15F,  
4-14-1, Sotokanda, Chiyoda-ku, Tokyo 101-0021, JAPAN  
Phone: 03-5207-8249 Fax: 03-5298-5362  
<https://www.smcworld.com>  
© 2019 SMC Corporation All Rights Reserved

Specifications are subject to change without prior notice and any obligation on the part of the manufacturer.