

ATEX Compliant

Dual Rod Cylinder/Basic Type

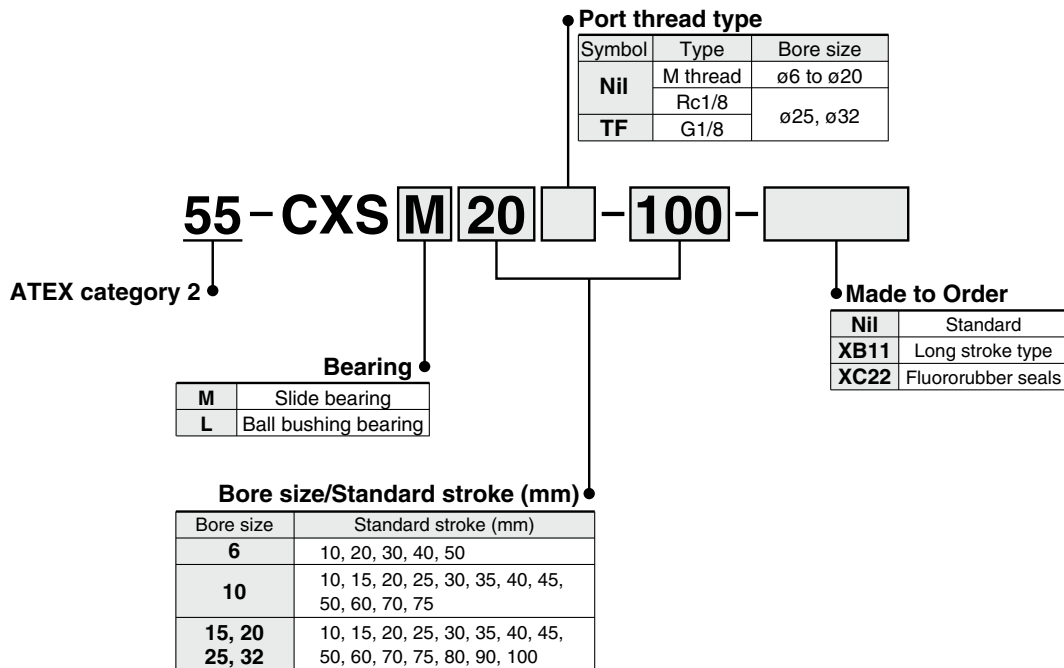
Series 55-CXS

ø6, ø10, ø15, ø20, ø25, ø32



	II 2G Ex h IIC T6..T5 Gb
	II 2D Ex h IIIC T78°C..T98°C Db

How to Order



All other specifications are the same as the standard products Series CXS. [Click here](#) for details.

Refer to page 69 for applicable auto switches.

ATEX Compliant

Dual Rod Cylinder/Double Rod Type

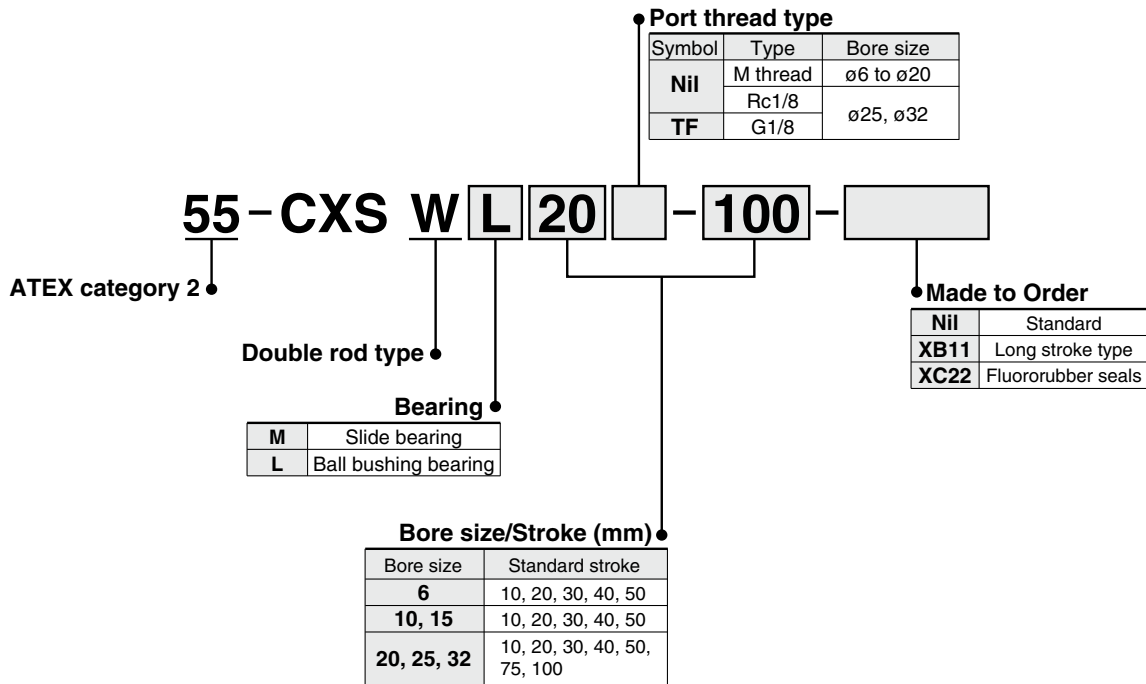
Series 55-CXSW

∅6, ∅10, ∅15, ∅20, ∅25, ∅32



	II 2G Ex h IIC T6..T5 Gb
	II 2D Ex h IIIC T78°C..T98°C Db

How to Order



All other specifications are the same as the standard products Series CXS. [Click here](#) for details.

Refer to page 69 for applicable auto switches.

ATEX Compliant

Dual Rod Cylinder/Basic Type

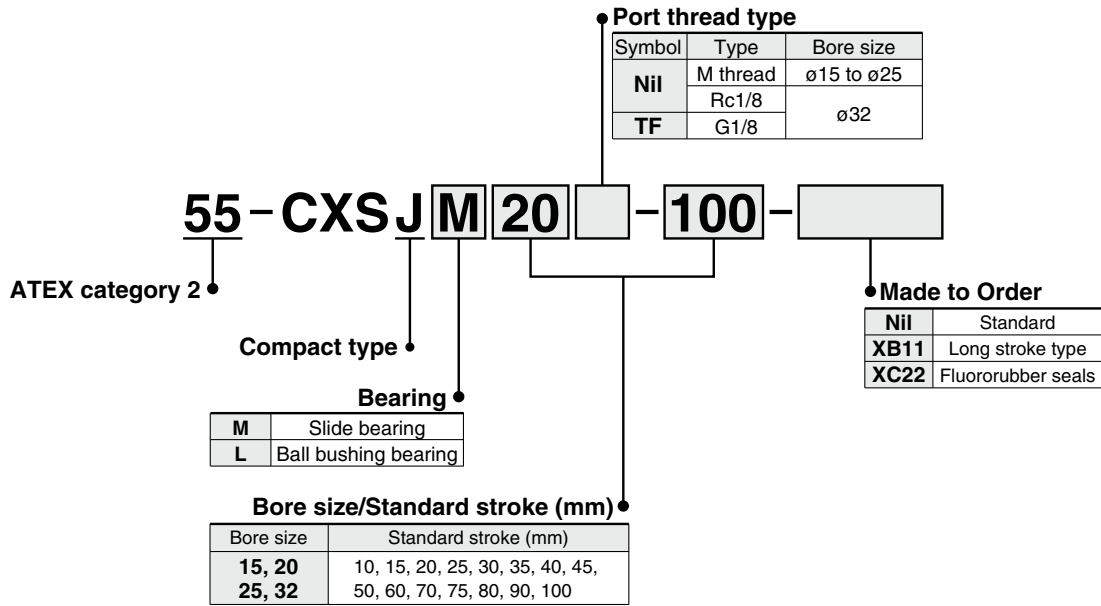
Series 55-CXSJ

∅15, ∅20, ∅25, ∅32



	II 2G Ex h IIC T6..T5 Gb
	II 2D Ex h IIIC T78°C..T98°C Db

How to Order



All other specifications are the same as the standard products Series CXSJ.
[Click here](#) for details.

Refer to page 69 for applicable auto switches.