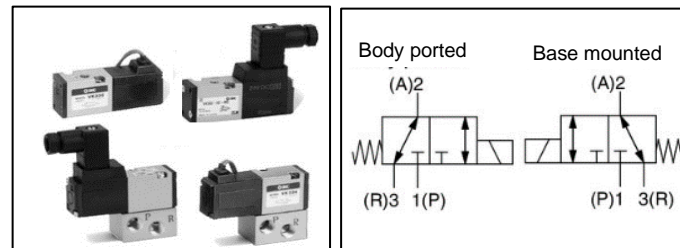


## Instruction Manual

## 3 Port Solenoid Valve

## Series VK300



The intended use of this product is to control the movement of an actuator.

## 1 Safety Instructions

These safety instructions are intended to prevent hazardous situations and/or equipment damage. These instructions indicate the level of potential hazard with the labels of "Caution," "Warning" or "Danger." They are all important notes for safety and must be followed in addition to International Standards (ISO/IEC)<sup>(1)</sup>, and other safety regulations.

<sup>(1)</sup> ISO 4414: Pneumatic fluid power - General rules relating to systems.

ISO 4413: Hydraulic fluid power - General rules relating to systems.

IEC 60204-1: Safety of machinery - Electrical equipment of machines.

(Part 1: General requirements)

ISO 10218-1: Robots and robotic devices - Safety requirements for industrial robots - Part 1: Robots.

Refer to product catalogue, Operation Manual and Handling Precautions for SMC Products for additional information.

Keep this manual in a safe place for future reference.

Keep this manual in a safe place for future reference.

Keep this manual in a safe place for future reference.

Keep this manual in a safe place for future reference.

Keep this manual in a safe place for future reference.

Keep this manual in a safe place for future reference.

Keep this manual in a safe place for future reference.

Keep this manual in a safe place for future reference.

Keep this manual in a safe place for future reference.

Keep this manual in a safe place for future reference.

Keep this manual in a safe place for future reference.

Keep this manual in a safe place for future reference.

Keep this manual in a safe place for future reference.

Keep this manual in a safe place for future reference.

Keep this manual in a safe place for future reference.

Keep this manual in a safe place for future reference.

Keep this manual in a safe place for future reference.

Keep this manual in a safe place for future reference.

Keep this manual in a safe place for future reference.

Keep this manual in a safe place for future reference.

Keep this manual in a safe place for future reference.

Keep this manual in a safe place for future reference.

Keep this manual in a safe place for future reference.

Keep this manual in a safe place for future reference.

Keep this manual in a safe place for future reference.

Keep this manual in a safe place for future reference.

Keep this manual in a safe place for future reference.

Keep this manual in a safe place for future reference.

Keep this manual in a safe place for future reference.

Keep this manual in a safe place for future reference.

Keep this manual in a safe place for future reference.

Keep this manual in a safe place for future reference.

Keep this manual in a safe place for future reference.

Keep this manual in a safe place for future reference.

Keep this manual in a safe place for future reference.

Keep this manual in a safe place for future reference.

Keep this manual in a safe place for future reference.

Keep this manual in a safe place for future reference.

Keep this manual in a safe place for future reference.

Keep this manual in a safe place for future reference.

Keep this manual in a safe place for future reference.

Keep this manual in a safe place for future reference.

Keep this manual in a safe place for future reference.

Keep this manual in a safe place for future reference.

Keep this manual in a safe place for future reference.

Keep this manual in a safe place for future reference.

Keep this manual in a safe place for future reference.

Keep this manual in a safe place for future reference.

Keep this manual in a safe place for future reference.

Keep this manual in a safe place for future reference.

Keep this manual in a safe place for future reference.

Keep this manual in a safe place for future reference.

Keep this manual in a safe place for future reference.

Keep this manual in a safe place for future reference.

Keep this manual in a safe place for future reference.

Keep this manual in a safe place for future reference.

Keep this manual in a safe place for future reference.

Keep this manual in a safe place for future reference.

## 2 Specifications - continued

Mounting orientation	Unrestricted	
Weight [g]	VK332#: 80	VK334#: 120

Table 1.

Note 1) Based on dynamic performance test, JIS B 8419: 2010. (Coil temperature: 20°C, at rated voltage, without surge suppressor).

Note 2) **Impact resistance:** No malfunction occurred when it is tested with a drop tester in the axial direction and at the right angles to the main valve and armature in both energized and de-energized states every once for each condition. (Values quoted are for a new valve).

**Vibration resistance:** No malfunction occurred in a one-sweep test between 45 and 2000 Hz. Test was performed at both energized states in the axial direction and at the right angles to the main valve and armature. (Values quoted are for a new valve).

## 2.2 Solenoid specification

Electrical entry		Grommet (G, H), DIN terminal (D, DO)	
Rated coil voltage [V]	AC (50 / 60 Hz)	100, 110, 200, 220, 240	
	DC	12, 24	
Allowable voltage fluctuation <sup>Note1)</sup>		±10% of rated voltage	
Apparent power [VA] <sup>Note2)</sup>	Standard type	Inrush	50 Hz: 9.5 60 Hz: 8
		Holding	50 Hz: 7 60 Hz: 5
	Power consumption [W]		Without indicator light: 4 With indicator light: 4.3
	Surge voltage suppressor		AC: Varistor DC: Diode (12 VDC or less: Varistor)
Indicator light		AC: Neon bulb DC: LED	

Table 2.

Note 1) Valve state is not defined if electrical input is outside of specified operating ranges.

Note 2) At the rated voltage.

## 2.3 Low wattage VK33# (Y, W) and continuous duty VK33#E types

- Specifications different from standard are as follows:

Apparent power [VA]	AC	Inrush	50 Hz	3.5
			60 Hz	3.3
Power consumption [W] <td rowspan="2">DC</td> <td rowspan="2">Holding</td> <td>50 Hz</td> <td>3</td>	DC	Holding	50 Hz	3
			60 Hz	2.8
		Without indicator light: 2		
		With indicator light: 2.3		

Table 3.

## 2.4 Vacuum type VK33# (V, W)

- In contrast to the standard product, this vacuum model has less air leakage at low pressures, a feature that should be taken into consideration when using this valve for vacuum applications.
- Specifications different from standard are as follows:

Operating pressure range [MPa]	-101.2 kPa to 0.1
--------------------------------	-------------------

Table 4.

## 2.5 Light indication

- Since this valve has slight air leakage, it cannot be used for vacuum holding (including positive pressure holding) in the pressure container.

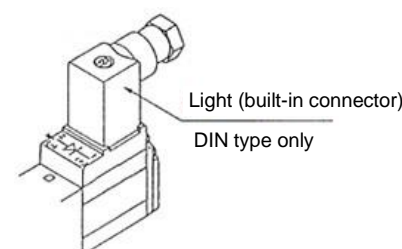


Figure 1.

## 2 Specifications - continued

## 2.6 Special products

## Warning

Special products (-X) might have specifications different from those shown in this section. Contact SMC for specific drawings.

## 3 Installation

## 3.1 Installation

## Warning

- Do not install the product unless the safety instructions have been read and understood.
- When mounting a valve on the manifold base or sub-plate, etc., the mounting orientation is already decided. If mounted in a wrong direction, the equipment to be connected may result in malfunction (see Figures 10 and 11 under section 3.13). VK300 series valves can be mounted on the manifold base VV5K3 of VK3000 series. Refer to catalogue for more details.

## 3.2 Environment

## Warning

- Do not use in an environment where corrosive gases, chemicals, salt water or steam are present.
- Do not use in an explosive atmosphere.
- Do not expose to direct sunlight. Use a suitable protective cover.
- Do not install in a location subject to vibration or impact in excess of the product's specifications.
- Do not mount in a location exposed to radiant heat that would result in temperatures in excess of the product's specifications.
- When the solenoid valve is mounted in a control panel or it is energized for a long time, make sure that the ambient temperature is within the specification of the valve.
- If using in an atmosphere where there is possible contact with water droplets, oil, weld spatter, etc., take suitable preventive measures.
- Do not use in high humidity environment where condensation can occur.
- Contact SMC for altitude limitations.

## 3.3 Piping

## Caution

- Before connecting piping make sure to clean up chips, cutting oil, dust etc.
- When installing piping or fittings, ensure sealant material does not enter inside the port. When using seal tape, leave 1 thread exposed on the end of the pipe/fitting.
- Tighten fittings to the specified tightening torque.

Port	Connection thread size (R, NPT)	Tightening Torque [N·m]
1(P), 2(A), 3(R)	M5	1 to 1.5
	1/8	3 to 5

Table 5.

## 3.4 Lubrication

## Caution

- SMC products have been lubricated for life at manufacture, and do not require lubrication in service.
- If a lubricant is used in the system, refer to catalogue for details.

## 3.5 Air supply

## Warning

- Use clean air. If the compressed air supply includes chemicals, synthetic materials (including organic solvents), salinity, corrosive gas etc., it can lead to damage or malfunction.

## Caution

- Install an air filter upstream of the valve. Select an air filter with a filtration size of 5 µm or smaller.

## 3.6 Effect of back pressure when using a manifold

## Caution

- Use caution when valves are used on a manifold, because an actuator may malfunction or unexpected movement may occur due to back pressure.
- For single acting cylinder, take appropriate measures to prevent malfunction by using it with an individual exhaust manifold.

## 3 Installation - continued

## 3.7 Light/surge voltage suppressor

## 3.7.1 AC circuit

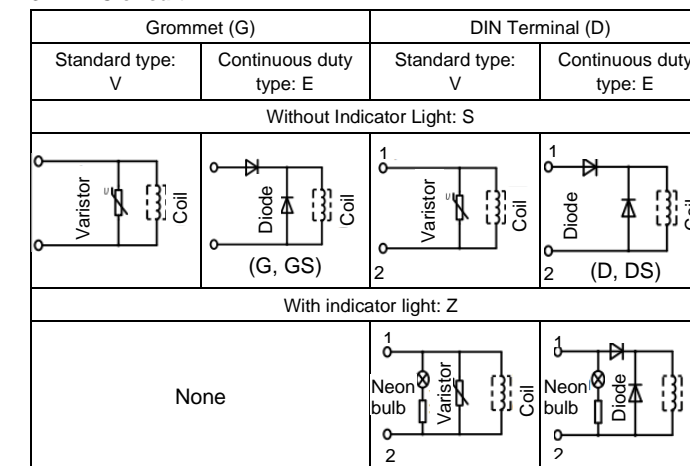


Figure 2.

## 3.7.2 DC circuit (24V, 48V)

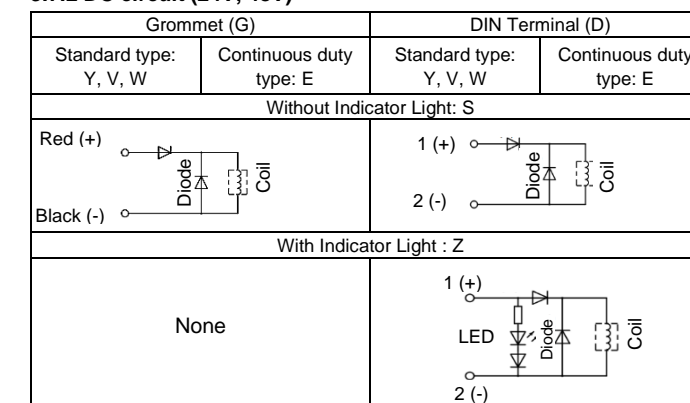


Figure 3.

## 3.7.3 DC circuit (6V, 12V)

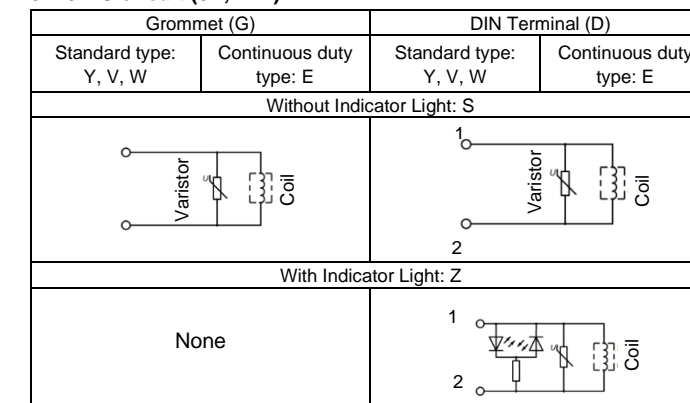


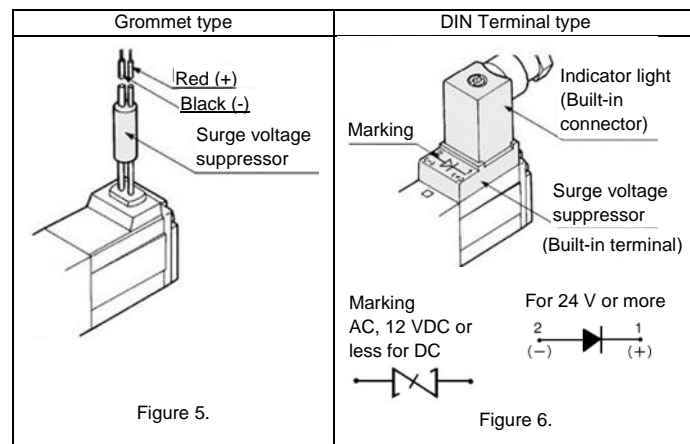
Figure 4.

## Caution

In the case of valves without surge suppressor, the machine designer shall add suppression as close as possible to the valve.

### 3 Installation - continued

#### 3.7.4 Electrical connectors



#### 3.8 Residual voltage of the surge voltage suppressor

##### Caution

- If a Zener diode or varistor voltage suppressor is used, the suppressor arrests the back EMF voltage from the coil to a level in proportion to the rated voltage.
- Ensure the transient voltage is within the specification of the host controller.
- Contact SMC for the Zener diode or varistor residual voltage.
- In the case of a diode, the residual voltage is approximately 1 V.
- Valve response time is dependent on surge suppression method selected.

#### 3.9 Countermeasure for surge voltage

##### Caution

- At times of sudden interruption of the power supply, the energy stored in a large inductive device may cause non-polar type valves in a de-energized state to switch.
- When installing a breaker circuit to isolate the power, consider a valve with polarity (with polarity protection diode), or install a surge

absorption diode across the output of the breaker.

#### 3.10 How to wire DIN terminal wiring

##### Caution

- Use heavy duty cable with O.D. of  $\varnothing 3.5$  mm to  $\varnothing 7$  mm, otherwise it will not meet the IP65 (enclosure) standard (reference: 0.5 mm<sup>2</sup> 2 core and 3 core wires equivalent to JIS C 3306).
- Tighten the ground nut and set screw within the specified torque range.

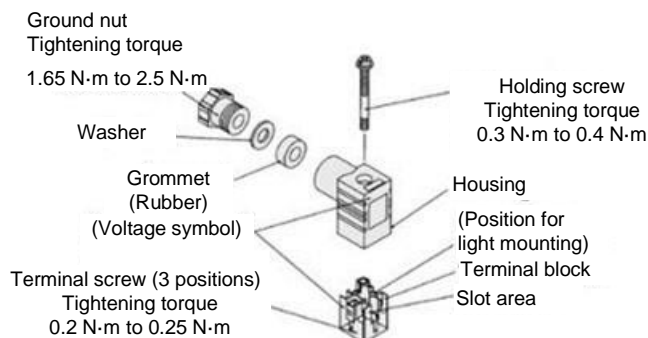


Figure 7.

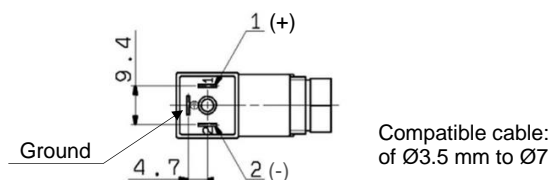


Figure 8. DIN type C

- Refer to catalogue for additional details.

### 3 Installation - continued

#### 3.10.1 Circuit with indicator light for DIN terminal

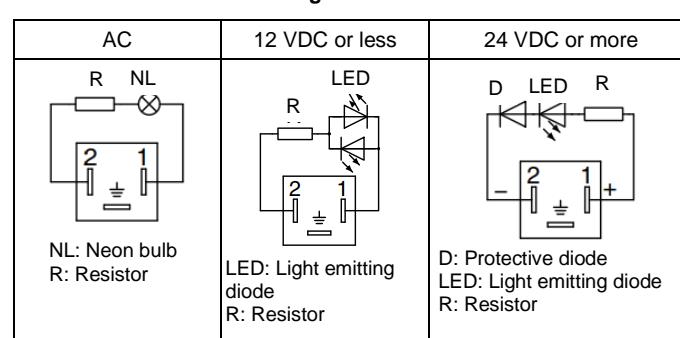


Figure 9.

#### 3.10.2 Changing cable entry direction

##### Caution

- After separating terminal block and housing, the cable entry direction can be changed by attaching the housing in the desired direction (4 directions in 90 degree increments).
- In the case of valve with indicator light, avoid damaging the light with lead wire.

#### 3.11 Extended periods of continuous energization

##### Warning

If a valve is energized continuously for a long period of time or is mounted in a control panel, the rise in temperature due to heat rise of the coil assembly may cause a decline in solenoid valve performance, reduce service life, or have adverse effects on peripheral equipment. If the valve is to be energized continuously for a long period of time, be sure to use the continuous duty type (VK33#E).

#### 3.12 Manual override

##### Warning

Regardless of an electric signal for the valve, the manual override is used for switching the main valve. Connected actuator is started by manual operation. Only use the manual override after confirming that there is no danger.

#### 3.13 Mounting and removal of valves

##### Caution

- Ensure gaskets are in good condition, not deformed and are dust and debris free.
- When mounting valves ensure gaskets are present, aligned and securely in place.
- Tighten the valve mounting screw and bracket screw (if required) to the appropriate tightening torque of 0.6 N·m.
- Refer catalogue for details of mounting and removal of valves from manifold.

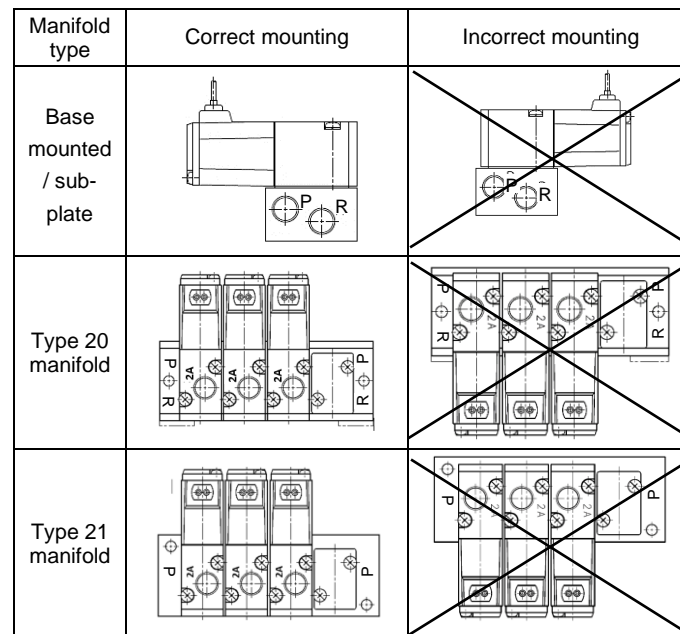


Figure 10.

### 3 Installation - continued

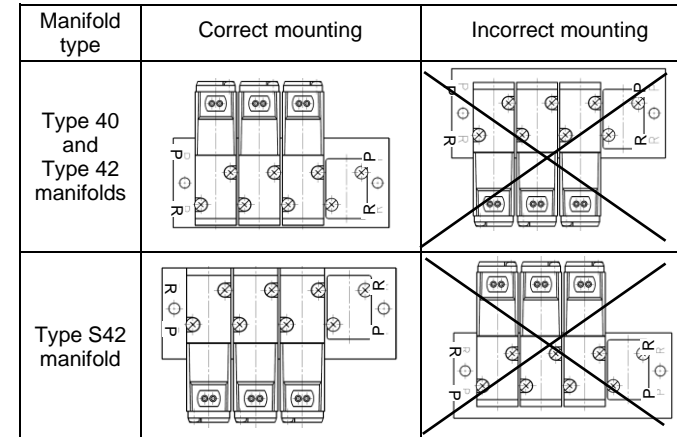


Figure 11.

#### 4 How to Order

Refer to catalogue for 'How to order' or product drawing for special products.

#### 5 Outline Dimensions (mm)

Refer to catalogue for outline dimensions.

#### 6 Maintenance

##### 6.1 General maintenance

##### Caution

- Not following proper maintenance procedures could cause the product to malfunction and lead to equipment damage.
- If handled improperly, compressed air can be dangerous.
- Maintenance of pneumatic systems should be performed only by qualified personnel.
- Before performing maintenance, turn off the power supply and be sure to cut off the supply pressure. Confirm that the air is released to atmosphere.
- After installation and maintenance, apply operating pressure and

power to the equipment and perform appropriate functional and leakage tests to make sure the equipment is installed correctly.

- If any electrical connections are disturbed during maintenance, ensure they are reconnected correctly and safety checks are carried out as required to ensure continued compliance with applicable national regulations.
- Do not make any modification to the product.
- Do not disassemble the product, unless required by installation or maintenance instructions.

#### 7 Limitations of Use

##### Warning

The system designer should determine the effect of the possible failure modes of the product on the system.

##### 7.1 Limited warranty and disclaimer/compliance requirements

Refer to Handling Precautions for SMC Products.

##### 7.2 Breathing hole

##### Caution

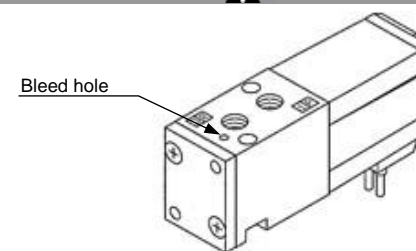


Figure 12.

There is a breathing hole on the bottom surface of the valve. Please note that liquid may enter or block the breathing hole, which may cause malfunction.

### 7 Limitations of Use - continued

#### 7.3 Leakage voltage

##### Caution

Ensure that any leakage voltage caused by the leakage current when the switching element is OFF causes  $\leq 2\%$  (for DC coils) or  $\leq 20\%$  (for AC coils) of rated voltage across the valve.

#### 7.4 Low temperature operation

##### Caution

Unless otherwise indicated in the specifications for each valve, operation is possible to  $-5^{\circ}\text{C}$ , but appropriate measures should be taken to avoid solidification or freezing of drainage and moisture, etc.

#### 7.5 Holding of pressure (including vacuum)

##### Warning

Since valves are subject to air leakage, they cannot be used for applications such as holding pressure (including vacuum) in a system.

#### 7.6 Cannot be used as an emergency shut-off valve

##### Warning

This product is not designed for safety applications such as an emergency shut-off valve. If the valves are used in this type of system, other reliable safety assurance measures should be adopted.

#### 7.7 Safety relays or PLC

##### Warning

If a safe output from a safety relay or PLC is used to operate this valve, ensure that any output test pulse duration is shorter than 1 ms to avoid the valve solenoid responding.

#### 7.8 Spring returned spool valves

##### Warning

- The use of 2-position single valves with spring returned spools has to be carefully considered.
- The return of the valve spool into the de-energized position depends on the pilot pressure. If the pilot pressure drops below the specified operating pressure the position of the spool cannot be defined. The design of the system must take into account such behaviour.

- Additional measures might be necessary. For example, the installation of an additional air tank to maintain the pilot pressure.

Energy source status	Spool position
Air supply present, electricity cut	Spool returns to the de-energized position by spring force
Air supply cut before electricity cut	Spool returns to the de-energized position by spring force

Table 6.

#### 8 Product Disposal

This product shall not be disposed of as municipal waste. Check your local regulations and guidelines to dispose this product correctly, in order to reduce the impact on human health and the environment.

#### 9 Contacts

Refer to [www.smcworld.com](http://www.smcworld.com) or [www.smc.eu](http://www.smc.eu) for your local distributor/importer.

## SMC Corporation

URL : <https://www.smcworld.com> (Global) <https://www.smc.eu> (Europe)  
 SMC Corporation, 4-14-1, Sotokanda, Chiyoda-ku, Tokyo 101-0021, Japan  
 Specifications are subject to change without prior notice from the manufacturer.  
 © 2021 SMC Corporation All Rights Reserved.  
 Template DKP50047-F-085M