

Compact Guide Cylinder

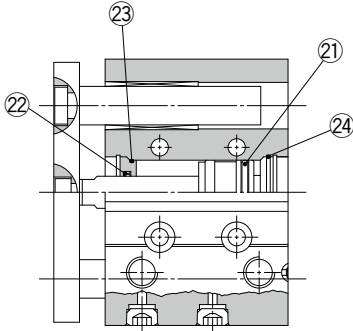
MGP-□Z Series

ø12, ø16, ø20, ø25
ø32, ø40, ø50
ø63, ø80, ø100

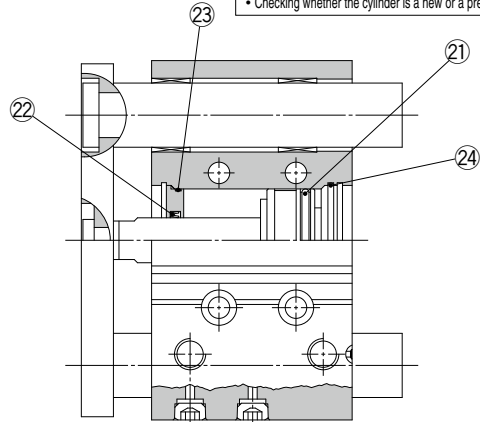
The Replacement Procedure is on p. 437

Construction: MGPM, MGPL, MGPA Series

MGPM12 to 25



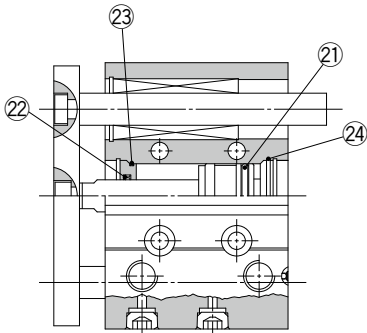
MGPM32 to 100



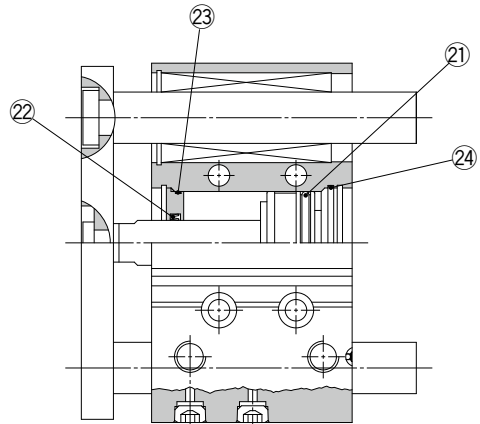
The products in this series are refreshed products. Check the following before ordering.

- Previous series (Discontinued product) MGP → p. 154
- Checking whether the cylinder is a new or a previous model → p. 769, 770

MGPL12 to 25 MGPA12 to 25



MGPL32 to 100 MGPA32 to 100



* The numbers correspond with those in the "Construction" of the MGP series in the **Web Catalog**.
* Refer to page 241 for replacement parts/seal kit and grease pack part numbers of Made-to-Order common specifications (-XB□, -XC□).

Seal Kit List

No.	Description	Material	Note
①	Piston seal	NBR	
②	Rod seal		
③	Gasket A		
④	Gasket B		

Replacement Parts: Seal Kit

Bore size (mm)	Part no.	Contents	Bore size (mm)	Part no.	Contents
12	MGP12-Z-PS	Set of nos. ①, ②, ③, ④	40	MGP40-Z-PS	Set of nos. ①, ②, ③, ④
16	MGP16-Z-PS		50	MGP50-Z-PS	
20	MGP20-Z-PS		63	MGP63-Z-PS	
25	MGP25-Z-PS		80	MGP80-Z-PS	
32	MGP32-Z-PS		100	MGP100-Z-PS	

* The seal kit includes ① to ④. Order the seal kit based on each bore size.
* Since the seal kit does not include a grease pack, it should be ordered separately.

Grease pack part no.: GR-S-010 (10 g)

Actuators
Rotary Actuators
Air Grippers
Modular F.R.L.
Pressure Control Equipment
Air Preparation Equipment
Industrial Filters
Replacement Procedure
Actuators
Rotary Actuators
Air Grippers
Modular F.R.L.
Pressure Control Equipment
Air Preparation Equipment
Industrial Filters