

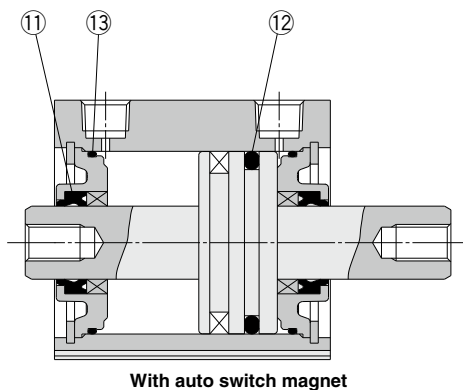
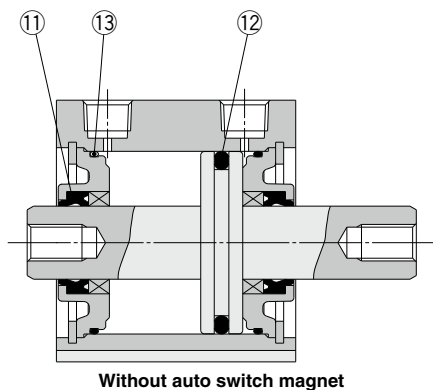
Compact Cylinder/Standard Type: Double Acting, Double Rod

CQ2W Series

ø12, ø16, ø20
 ø25, ø32, ø40
 ø50, ø63, ø80
 ø100

The
 Replacement
 Procedure is on
 p. 387

Construction



* The numbers correspond with those in the "Construction" of the CQ2 series in the **Web Catalog**.

Seal Kit List

| No. | Description | Material | Note |
|-----|-------------|----------|------|
| ① | Rod seal | NBR | |
| ② | Piston seal | | |
| ③ | Tube gasket | | |

Replacement Parts: Seal Kit

| Bore size (mm) | Part no. | Contents |
|-----------------------|--------------|------------------------|
| Pneumatic type | | |
| 12 | CQ2WB12-PS | Set of nos. ①, ②, ③ |
| 16 | CQ2WB16-PS | |
| 20 | CQ2WB20-PS | |
| 25 | CQ2WB25-PS | |
| 32 | CQ2WB32-PS | |
| 40 | CQ2WB40-PS | |
| 50 | CQ2WB50-PS | |
| 63 | CQ2WB63-PS | |
| 80 | CQ2WB80-PS | |
| 100 | CQ2WB100-PS | |
| Air-hydro type | | |
| 20 | CQ2WBH20-PS | Set of nos. ①, ②, ③ |
| 25 | CQ2WBH25-PS | |
| 32 | CQ2WBH32-PS | |
| 40 | CQ2WBH40-PS | |
| 50 | CQ2WBH50-PS | |
| 63 | CQ2WBH63-PS | |
| 80 | CQ2WBH80-PS | |
| 100 | CQ2WBH100-PS | |

* The seal kit includes ①, ②, ③. Order the seal kit based on each bore size.

* Since the seal kit does not include a grease pack, it should be ordered separately.

Grease pack part no.: GR-S-010 (10 g)

Compact Cylinder/Large Bore Size: Double Acting, Double Rod

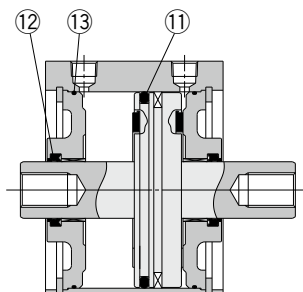
CQ2W Series

∅125, ∅140, ∅160
∅180, ∅200

The Replacement Procedure is on p. 387

Construction

Standard



* The numbers correspond with those in the "Construction" of the CQ2 series in the **Web Catalog**.

Seal Kit List

| No. | Description | Material | Note |
|-----|-------------|----------|------|
| ① | Piston seal | NBR | |
| ② | Rod seal | | |
| ③ | Tube gasket | | |

Replacement Parts: Seal Kit

| Bore size (mm) | Part no. | Contents |
|----------------|-------------|------------------------|
| 125 | CQ2WB125-PS | Set of nos. ①, ②, ③ |
| 140 | CQ2WB140-PS | |
| 160 | CQ2WB160-PS | |
| 180 | CQ2WB180-PS | |
| 200 | CQ2WB200-PS | |

* The seal kit includes ①, ②, ③. Order the seal kit based on each bore size.

* Since the seal kit does not include a grease pack, it should be ordered separately.

Grease pack part no.: GR-S-010 (10 g)

Actuators

Rotary Actuators
Air Grippers

Modular F.R.L.
Pressure Control Equipment

Air Preparation
Equipment

Industrial Filters

Replacement
Procedure

Actuators

Rotary Actuators
Air Grippers

Modular F.R.L.
Pressure Control Equipment

Air Preparation Equipment
Industrial Filters