

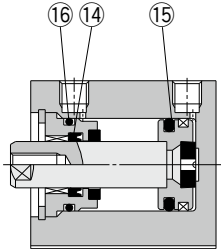
CQS□S Series

ø12, ø16
ø20, ø25

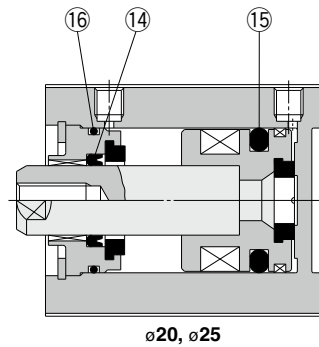
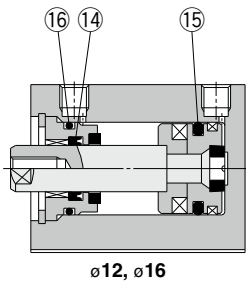


Construction

Basic type



With auto switch (built-in magnet)



* The numbers correspond with those in the "Construction" of the CQS□S series in the **Web Catalog**.

Seal Kit List

No.	Description	Material	Note
⑭	Rod seal	NBR	
⑮	Piston seal		
⑯	Tube gasket		

Replacement Parts: Seal Kit

Bore size (mm)	Part no.	Contents
12	CQSB12-PS	Set of nos. ⑭, ⑮, ⑯
16	CQSB16-PS	
20	CQSB20-PS	
25	CQSB25-PS	

* The seal kit includes ⑭, ⑮, ⑯. Order the seal kit based on each bore size.

* Since the seal kit does not include a grease pack, it should be ordered separately.

Grease pack part no.: GR-S-010 (10 g)